



# Airless Paint Sprayer

THE BEST SOLUTION FOR YOUR NEEDS



Easy To Use



Excellent Performance



High Efficiency



Easy Maintenance



[www.indotara.co.id](http://www.indotara.co.id)

BEST QUALITY AND PROFITABLE PRODUCTS

## MODEL: OFT01

Optional nozzle size according to requirements.

1. Reverse cleaning, easy to clean.
2. Tungsten carbide high strength protect nozzle much more durable.

### NOZZLE



Allow to rotate 720°



## MODEL: OFT06

UNIVERSAL JOINT

Max working pressure: 230BAR  
Connector thread: 7/8"-14

## MODEL: OFT02

EXTENDED ROD ASSEMBLY

Max working pressure: 230BAR  
Connector thread: 7/8"-14  
Total length: 0.5M/10M

## MODEL: OFT07

NOZZLE SEAT

Max working pressure: 230BAR  
Connector thread: 7/8"-14



HIGH PRESSURE



## MODEL: OFT300A

AIRLESS SPRAY GUN

Max. Fluid Delivery: 900 ml/min

1. Professional air nozzle with reversion automatic cleaning function
2. Die cast aluminium body in anodized colors
3. With 360° swivel connector
4. Built-in-handle filter for convenient cleaning
5. Special designed adjustable trigger for easy and safe operation



EASY TO CARRY



## MODEL: OFT900

AIRLESS SPRAY GUN

Working pressure: 248BAR  
Connector thread: G1/4,  
Standard nozzle: 517

1. Precision die cast aluminium body, designed for light weight & durable.
2. Installed with 360° swivel connector for convenient operation.
3. With filter inside for easy cleaning.
4. Needle designed in full closed type, safe and reliable.



## MODEL: OFT680

AIRLESS SPRAY GUN

Working pressure: 248BAR  
Connector thread: G1/4,  
Standard nozzle: 517

1. Precision die cast aluminium body, designed for light weight & durable.
2. Installed with 360° swivel connector for convenient operation.
3. With filter inside for easy cleaning.



## MODEL: OFT820

STRAIGHT TYPE AIRLESS SPRAY GUN

Working pressure: 248BAR  
Connector thread: G1/4,  
Standard nozzle: 517

1. Precision die cast aluminium body, designed for light weight & durable.
2. Installed with 360° swivel connector for convenient painting.
3. With filter inside for easy cleaning.
4. Needle designed in full closed type, safe and reliable.
5. The extension rod supplied with the makes it always perpendicular to the wall, to ensure the quality of spraying.



## GERMANY QUALITY

For the structure of piston pump, we adopt the technology of spraying ceramic on plunger rod surface and design the cylinder with ceramic sleeve, it can improve the reliability and durability of sealing greatly.

# ORIFETT

## MODEL: OFT-12060

HIGH PRESSURE  
AIRLESS SPRAY EQUIPMENT

Pressure ratio: 50:1

Max. Inlet air pressure of cylinder: 0.6 Mpa

Max. Pressure of piston pump: 30 Mpa

Displacement (60 times/min): 8 L/min



### SPECIAL CONTROL VALVE STRUCTURE

Achieving high-speed transition between spray and cleaning type.

EASY TO  
CARRY



### HIGH-PRECISION STAINLESS STEEL PISTON PUMP

High-hardened ultraprecise stainless steel piston pump guarantees long time use and abrasion performance.

HIGH  
PRESSURE



STRONG  
POWER



## FEATURES:

- This equipment is suitable for painting preservative on large ships, offshore drilling platform. And also suitable for general steel structures.
- It is abandoned traditional muffler design of air spray machines, and adopted with integrated designs of muffler and hood. With this design, it not only greatly improves the silence effect, but also completely improve the product putlook and cleanliness.
- It doesn't freeze and supports continuous work.
- It supports to paint various kinds of oily paint, including marine paints and normal water-based latex paint.
- It can impleme "one-supply-three" (i.e.: one machine supports three spray guns to work at the same time, the standard lever is "one-supply-three". In this way, it is easy complementing the painting jobs at super-large surfaces and areas.
- To ensure longer working life, it uses a lot of new technology, new materials and sealing elements.
- Cylinder adopts the unique dual rod design. This design enhances the smoothness of movement and uniformity of loading distribution.
- So that improved the durability of the cylinder sealing element and the piston rod guide element. Using cam mechanism to prevent valve block to stuck in a reverse way, avoid the cylinder to be "dead" during working.

## MODEL: OFT-500A AIRLESS SPRAY GUN

Max.(Fluid) Delivery: 900ml/min (NOZZLE TYPE 517)

1. Professional air nozzle with reversion automatic cleaning function.
2. Aluminium body by forging and stamping with oxidation treatment in colors.
3. With 360° rotary type connector.
4. Handle include filter for convenience cleaning.
5. Designed with new insurance device, it can prevent wrong sprayings from the spray gun.



## MODEL: OFT-3020 HIGH PRESSURE AIR MIXED SPRAYER

OFT-3020 SERIES OF AIR MIXED SPRAYING MACHINE is designed as an newest excellent spraying equipment the comprehensive utilization excellences of the air sprayer and airless sprayer.

### FEATURES:

- Multiple utilize technology of air sprayer and airless sprayer to develop. Making the atomization and spraying to reach more uniform, more efficient. It can also support two spray guns to work at the same time.
- The adopted "double rod" cylinder structure makes much steady working and performance. the complete elimination of the cylinder scoring, problem. Working life will be greatly extended.
- The new designed pump sealing gasket can realize the automatic compensation in its normal working life. Reducing maintenance time greatly.
- Surface of Plunger pole adopt the technology of thermal sprayed ceramic "ceramic grinding, compare with the traditional treatment of hard chromium plating and hard nitride, the working life is extended exponentially.
- Designed with Ceramic valve plate and polymer materials air valve, improving the sensitivity and reliability for direction. Reducing the compressed air consumption, low energy consumption.
- Compare with the same specification of local other similar product, the main parts with high and reliable quality.



1. Stainless steel piston pump.
2. Paint filter with durable filter inside To ensure clean paint liquid.



Oil lubricator: Ensure lubrication for All sporting components during working.



Air filter: Ensure purification for working pressure.



**ORIFETT OFT-3020  
HIGH PRESSURE AIR  
MIXED SPRAYING  
MACHINE**  
is mainly applied to  
finish painting and  
coating for furniture,  
Steel structure,  
construction and  
board.

### SPECIFICATIONS

#### MODEL OFT-3020

|                                |                      |                     |                      |
|--------------------------------|----------------------|---------------------|----------------------|
| Diameter of cylinder           | : Ø 100 mm           | Unload displacement | : 6.0 L/min          |
| Pressure ratio                 | : 20:1               | Working pressure    | : 0.3 - 0.6 Mpa      |
| Single way displacement        | : 27 ml              | Whole set weight    | : 30 Kg              |
| Standard painting displacement | : 3.0L (60 time/min) | Size (L x W x H)    | : 540 x 500 x 810 mm |

# MODEL: OFT-6030

## AIRLESS SPRAY GUN



1. Allowed to paint all kinds of paints, such as epoxy resin paint, polyurethane and so on.
2. With LCD painting system, Convenient and workable for statistical data.
3. Cylinder with two leading direction to enhance the stability for whole system.
4. With air and oil filter.
5. It is designed for easy cleaning and change colors.
6. The whole pump designed for reaching easy disassembly and maintenance.
7. CERA SYSTEM commutator for reaching longer working life.
8. High-precision stainless steel piston pump designed for longer working life.
9. The stainless steel pump for durable using and operation.

### STANDARD AIR HOSE

15M (Length) 5.5x11 mm (Inside and outside diameter) 6235PSI, 430BAR (Working pressure)

1. Stainless steel piston pump.
2. Paint filter with durable filter inside to ensure clean paint liquid.



LCD calculator to make the complete records and statistic for whole working.



OIL LUBRICATION:  
Ensure lubrication for all sporting components during working.



AIR FILTER:  
Ensure purification for working pressure.



### SPECIFICATIONS

| MODEL OFT-6030          |   |               |
|-------------------------|---|---------------|
| Fluid pressure ratio    | : | 30 : 1        |
| Output                  | : | 6 L/min       |
| Max. Pump speed         | : | 50 Cycles/min |
| Air pressure range      | : | 6.5 Bar       |
| Max. Discharge pressure | : | 210 Bar       |

**EASY TO CARRY**

**HIGH PRESSURE**

**STRONG POWER**

## MODEL: OFT-9140A DIAPHRAGM AIRLESS SPRAYER

### Feature

- AC brushless motor with longer life
- Provided with with big flow rate and strong power
- Forged pump cover with firm sealing
- Stainless steel inlet & Outlet valve and anti-corrosion



Stainless Steel Inlet & Outlet Valve

Forged Pump Cover

AC Brushless Motor, Copper wire

### Application

- Ideal for interior & exterior wall painting, ceiling painting, garden painting, construction painting, ship industry painting etc.
- Applicable for latex paint, anti-rust paint, fireproof paint, and other coatings etc.

### STANDARD ACCESSORIES



Spray gun



Nozzle tip



50 cm Extension lance



High pressure hose



Suction hose



Pressure gauge

### SPECIFICATIONS

| MODEL OFT-9140A           |   |                    |
|---------------------------|---|--------------------|
| Voltage                   | : | 220/50 Hz          |
| Rated motor power         | : | 2500W              |
| Nozzle type               | : | 623 Tip            |
| Max. Output pressure      | : | 20 Mpa             |
| Max. Flow rate            | : | 14 L/min           |
| Optimum painting distance | : | 350-400 mm         |
| Pattern width             | : | 250 mm             |
| Max. Pressure of hose     | : | 40 Mpa             |
| Weight of whole machine   | : | 40 Kg              |
| Size                      | : | 660 x 510 x 560 mm |

EASY TO CARRY



HIGH PRESSURE



STRONG POWER



## MODEL: OFT-9160A DIAPHRAGM AIRLESS SPRAYER

### Feature

- AC brushless motor with longer
- Provided with with big flow rate and strong power
- Forged pump cover with firm sealing
- Stainless steel inlet & Outlet valve and anti-corrosion
- Available for double spray guns operation (517 nozzle tip)

Stainless Steel Inlet & Outlet Valve

Forged Pump Cover

AC Brushless Motor, Copper wire



Available for double spray guns operation

517 Nozzle tip



### Application

- Ideal for interior & exterior wall painting, ceiling painting, garden painting, construction painting, ship industry painting etc.
- Applicable for latex paint, anti-rust paint, fireproof paint, and other coatings etc.

### STANDARD ACCESSORIES



Spray gun



Nozzle tip



50 cm Extension lance



High pressure hose



Suction hose



Pressure gauge

### SPECIFICATIONS

| MODEL OFT-9160A           |   |                    |
|---------------------------|---|--------------------|
| Voltage                   | : | 220/50 Hz          |
| Rated motor power         | : | 3000W              |
| Nozzle type               | : | 625 Tip            |
| Max. Output pressure      | : | 20 Mpa             |
| Max. Flow rate            | : | 16 L/min           |
| Optimum painting distance | : | 350-400 mm         |
| Pattern width             | : | 250 mm             |
| Max. Pressure of hose     | : | 40 Mpa             |
| Weight of whole machine   | : | 41 Kg              |
| Size                      | : | 660 x 510 x 660 mm |

EASY TO CARRY



HIGH PRESSURE



STRONG POWER





### GERMAN QUALITY

With Germany technology, branded bearing, manufactured under advanced equipment to assure the stable quality and durable life.

### QUICK & EASY REPAIR

The full set in the modular structure with smart and adjustable appearance for repair and maintenance easily, saving time and stamina.

### THE NEWEST POWER

The newest brushless DC motor provides the equipment with much stronger power Free of maintenance and service.

### INTELLIGENT CONTROL

Intelligent PLC control system with immediate response, guarantees the steady outlet pressure. Automatically stops while on waiting, saving power and extending service life.

### PORTABLE & HIGH EFFICIENCY

Small body, high volume, portable and high efficiency. Working efficiency up to 500-1200 cm<sup>2</sup> /hour, 10 times more than the traditional construction.

### NICE AND SMOOTH SPRAYING

Excellent spraying performance, easy to paint any corners and uneven hard parts. Easy to get 30 micrometer coating. Saving 20-30% painting liquid. Easy to get flat, smooth and plump coating.

### STRONG APPLICABILITY

Super wear-resistant industrial ceramic inserted piston pump guarantees the longer service life. The material tube with anticorrosive layer coated inside is suitable for painting all kinds of oil, water, emulsion paint, spray grade interior and exterior wall paint.

| NO. | PART NAME                  | FUNCTION  |
|-----|----------------------------|---|
| A   | Motor                      | Permanent magnet DC motor   |
| B   | Transmission               | Switch power from DC motor to piston pump   |
| C   | Pressure regulating device | Hydraulic control   |
| D   | Piston pump                | Transport high pressure liquid through spray gun to spray operation.                                    |
| E   | Filter of control valve    | Filter out impurities, easy for cleaning  |
| F   | Tube                       | Piston pump inhale liquid   |
| G   | State regulating valve     | Reaching the fast switching between spraying and recycle cleaning.                                      |
| H   | Material exit              | Connecting high pressure material tube to the spray gun   |
| I   | Returning tube             | For Liquid Exclusion  |
| J   | Power switch               | Control the equipment switch  |
| K   | PLC control system         | Reaching Intelligent Control of the pressure of liquid, regulating knob control of the working presure. |
| L   | Portable body frame        | Supporting host, easy to carry, suitable for operation at various of working area.                      |





### PISTON PUMP ASSEMBLY

Industrial ceramic bushing, wear-resistant and longer service life.



### FILTER ASSEMBLY

Filter out impurities, easy for cleaning.



### BRUSHLESS DC MOTOR

Stronger power. Free of maintenance and service.



### BRANDED PROFESSIONAL BEARING

Original authentic, high precision reliable and longer service life.



## MODEL: OFT-926

High-hardened ultraprecise stainless steel piston pump guarantees long time use and abrasion performance.

### Application

It is suitable for painting furniture, wall, metal surface and industrial floor. It is particularly well suited for painting modern construction's decoration, such as inside and outside walls, office building, hotels, boats, bridges and so on.

## MODEL: OFT-922

High-hardened ultraprecise stainless steel piston pump guarantees long time use and abrasion performance.

## SPECIFICATIONS

| MODEL                       | OFT-922           | OFT-926           | OFT-922                      | OFT-926                           |
|-----------------------------|-------------------|-------------------|------------------------------|-----------------------------------|
| Motor Power Rating:         | 1300 W            | 2200 W            | Fan pattern width:           | 250-310 mm 250-310 mm             |
| Voltage:                    | 120/230 V         | 120/230 V         | Net weight of machine:       | 18 Kgs 19 Kgs                     |
| Frequency:                  | 50 Hz             | 50 Hz             | Net weight of full set:      | 22.16/25.16 Kg 23.16/26.16 Kg     |
| Max. Pressure:              | 3000 PSI, 207 Bar | 3000 PSI, 207 Bar | (Include: 1Pc hose, 1Pc gun) |                                   |
| Max. Fluid Delivery:        | 2200 ml/min       | 2600 ml/min       | Air hose working pressure:   | 3000PSI, 207 Bar 3000PSI, 207 Bar |
| Recommended Spray Distance: | 300 mm            | 300 mm            |                              |                                   |

## MODEL: OFT-4500

### Feature

- Stainless steel plunger and pump body, anti-corrosion sealing guarantees long durability and easy for maintenance.
- Spray gun with lock knob helps to keep spraying and prevent accidental spraying.
- Spray gun with reversible tip to remove any potential clogs.
- Brush DC motor with copper wire rather than aluminium for high motor energy efficiency.
- Lightweight, easy to set up, operate and clean.
- Low vibration and noise level.
- Designed to spray coatings with less thinning to save you much more time (around 10 times more) compared to traditional brushes and rollers, it applies an even coating to uneven surfaces which makes a superior finish on any household projects.

### Application

It is an ideal choice for anyone who is intended to create a DIY paint project that makes your house more fresh and creative. They can be used on a variety of home improvement projects, including interior and exterior walls, furniture, fences, sheds, and decks etc.



### SPECIFICATIONS

| MODEL OFT-4500          |                               |
|-------------------------|-------------------------------|
| Motor power             | : 700W, 0.95 HP               |
| Voltage                 | : 230V/50Hz, 120V/60Hz        |
| Nozzle type             | : 515/517/519                 |
| Maximum Pressure        | : 3200 PSI                    |
| Capacity                | : 1.8L/min, Up to 0.5 gal/min |
| Recommended hose length | : 7.5-15 M                    |
| Net weight              | : 20 Kgs, 44 lbs              |

## MODEL: OFT-3950

### Feature

- Stainless steel plunger and pump body or ceramic plunger and pump body for optional. with anti-corrosion sealings for long durability.
- Spray gun with lock knob helps to keep spraying and prevent accidental spraying.
- Spray gun with reversible tip to remove any potential clogs.
- Brush DC motor with copper wire rather than aluminium for high motor energy efficiency.
- Professional painting equipment, working stably with lower vibration and noise.
- Designed to spray unthinned or less thinned coatings.
- With high working efficiency compared to traditional brushes and rollers (around 10 times more), it applies an even coating to uneven surfaces which makes a superior finish on any household projects.

### Application

It is an ideal choice for anyone who desires to repaint their house or commercial buildings. They can be used on a variety of home improvement projects, ranging from interior walls to exterior walls, furniture, fences, sheds, and decks etc. It can also be used for small commercial buildings.

### Accessories Included

Accessories included: 1 pc Paint Sprayer and gun, 1 pc Reversible Spray Tip, 1 pc extension lance, 1 pc High pressure hose, 1 pc Suction hose and return hose, 1 pc paint residue cup, 1 pc User Manual.



### SPECIFICATIONS

| MODEL OFT-3950          |                               |
|-------------------------|-------------------------------|
| Motor power             | : 900W, 1.2 HP                |
| Voltage                 | : 230/50HZ, 120V/60HZ         |
| Nozzle type             | : 515/517/519                 |
| Maximum Pressure        | : 3200PSI                     |
| Capacity                | : 2.0L/min, Up to 0.5 gal/min |
| Recommended hose length | : 7.5-15 mm                   |
| Net weight              | : 22Kgs, 48.5 Kgs             |

## MODEL: OFT-4950

### Feature

- Professional machine providing more torque, even pressure delivery and faster cleaning to finish jobs, suitable for commercial and industrial use.
- Designed to spray unthinned or less thinned coatings.
- Stainless steel plunger and pump body or ceramic plunger or pump body for optional, with anti-corrosion sealings for long durability.
- Brushless DC motor for more torque and longest lifetime.
- Intelligent PLC system with immediate response, guarantees the steady outlet pressure. automatically stops while on waiting, saving power and extending service life.
- Spray gun with lock knob helps to keep spraying and prevent accidental spraying.
- Spray gun with reversible tip to remove any potential clogs.
- With low vibration and noise level.
- Kickstand for easy one-person bucket changes.

### Application

Ideal for commercial and industrial painting jobs. They can be used on a variety of projects, including interior and exterior walls for construction and buildings, boats, bridges and so on.



### SPECIFICATIONS

| MODEL OFT-4950          |   |                             |
|-------------------------|---|-----------------------------|
| Motor power             | : | 900W, 1.2HP                 |
| Voltage                 | : | 230V/50Hz, 120V/60Hz        |
| Nozzle type             | : | 515/517/519/521/523         |
| Maximum Pressure        | : | 3200 PSI                    |
| Capacity                | : | 2.3L/min, Up to 0.6 gal/min |
| Recommended hose length | : | 7.5-15 M                    |
| Net weight              | : | 22 Kgs, 48.5 lbs            |



### SPECIFICATIONS

| MODEL OFT-5950          |   |                             |
|-------------------------|---|-----------------------------|
| Motor power             | : | 1100W, 1.5 HP               |
| Voltage                 | : | 230/50HZ, 120V/60HZ         |
| Nozzle type             | : | 515/517/519/521/523/525     |
| Maximum Pressure        | : | 3200PSI                     |
| Capacity                | : | 3.0L/min, Up to 0.8 gal/min |
| Recommended hose length | : | 7.5-15 mm                   |
| Net weight              | : | 25 Kgs, 55 lbs              |

### Accessories Included

Accessories included: 1 pc Paint Sprayer and gun, 1 pc Reversible Spray Tip, 1 pc extension lance, 1 pc High pressure hose, 1 pc Suction hose and return hose, 1 pc paint residue cup, 1 pc User Manual.

## MODEL: OFT-5950

### Feature

- Professional machine providing the highest torque and output, even pressure delivery, suitable for industrial and commercial use.
- Designed to spray unthinned or less thinned coatings.
- Stainless steel plunger and pump body or ceramic plunger and pump body for optional, with anti-corrosion sealings for long durability.
- Brushless DC motor for more torque and longest lifetime.
- Intelligent PLC system with immediate response, guarantees the steady outlet pressure. Automatically stops while on waiting, saving power and extending service life.
- Spray gun with lock knob helps to keep spraying and prevent accidental spraying. Spray gun with reversible tip to remove any potential clogs.
- Fast Flush High-Flow cleaning system for faster cleaning and maintenance. low vibration and noise level.
- Kickstand for easy one-person bucket changes.

### Application

Ideal for commercial and industrial painting jobs. They can be used on a variety of projects, including interior and exterior walls for construction and buildings, boats, bridges and so on.

## MODEL: OFT-120C/c1

### Features

OFT-120C mini painting equipment. It is a good and reliable choice for home DIY use because of its newest, nice and cute designed shape, lower price, convenience for operation.

### Application

It is suitable for painting furniture, wall, metal surface and industrial floor. It is particularly well suited for painting modern construction's decoration, such as interior and exterior walls, office building, hotels, boards, bridges and so on.



### SPECIFICATIONS

| MODEL OFT-120C/c1   |                     |   |                      |
|---------------------|---------------------|---|----------------------|
| Motor power rating  | : 650W              | Standard nozzle type                                | : 517                |
| Voltage             | : 120/230V          | Recommended spray distance                          | : 300 mm             |
| Current             | : 4.0-7.5A/2.0-4.5A | Fan pattern width                                   | : 250-310 mm         |
| Frequency           | : 60/50Hz           | Compressive strength & length of high pressure hose | : 300 Mpa/1m         |
| Max. Pressure       | : 210 Bar           | Net weight  | : 7.0 Kg             |
| Max. Fluid delivery | : 1100 ml/min       | Size  | : 380 x 380 x 460 mm |

# SMART DESIGN LIGHTWEIGHT & ECONOMICAL

## MODEL: OFT-1C

Color Box: 2 Sets 49 x 31 x 35 cm 8.7/7.5 Kgs  
20': 1050, 45HQ: 2480

### EXTRA ACCESSORIES

- 1Pc 1000ml Aluminum Cup
- 1Pc Spanner
- 1Pc Cup Gasket
- 1Pc Viscometer
- 1Pc Adaptor



Knob Adjust Power  
(Range: 0-800w)

## MODEL: OFT-1

2 Sets 47 x 30 x 32 cm 6/8 Kgs  
4 Sets 60 x 47 x 32 cm 12/15 Kgs  
20': 1241, 40HQ: 2882  
20': 1241, 40HQ: 2882



## MODEL: OFT-1A



### Technical Parameters

Air pressure: 0.1-1 Bar  
Max fluid delivery: 230-270 ml/min  
Cup capacity: 1000 ml  
Nozzle size: Ø1.2 mm, 1.0 mm  
Standard length of air hose: 1 Meter  
Wire: 2.0 Meter

**EASY TO USE**



**HIGH PRESSURE**

### SPECIFICATIONS

| MODEL  | INPUT VOLT (V) | POWER (W) | LOAD SPEED (R.P.M) | LOAD CURRENT (A) |
|--------|----------------|-----------|--------------------|------------------|
| OFT-1  | 120/230        | 500/500   | 28500/28500        | 4.2/2.1          |
| OFT-1A | 120/230        | 500/500   | 28500/28500        | 4.2/2.1          |
| OFT-1C | 120/230        | 800/800   | 28500/28500        | 6.5/3.3          |

### Technical Parameter

Air pressure: 0.1-0.2 Bar  
 Max fluid deliver: 300-350 ml/min  
 Cup capacity: 700 ml  
 Nozzle size: Ø1.8 mm  
 Color Box: 4 Sets 42.5 x 41.5 x 58 cm



**MODEL: OFT-8B**



**EASY TO CARRY**



**HIGH PRESSURE**



**STRONG POWER**



### SPECIFICATIONS

| MODEL  | INPUT VOLT (V) | POWER (W) | LOAD SPEED (R.P.M) | LOAD CURRENT (A) |
|--------|----------------|-----------|--------------------|------------------|
| OFT-8  | 120            | 400       | 26000              | 3.3              |
|        | 230            | 400       | 26000              | 1.7              |
| OFT-8B | 120            | 600       | 30000              | 5.0              |
|        | 230            | 600       | 30000              | 2.6              |

### Technical Parameter

Air pressure: 0.1-0.2 Bar  
 Max fluid deliver: 330-380 ml/min  
 Cup capacity: 1000 ml  
 Nozzle size: Ø1.8 mm  
 Color box: 2 Sets 65x 41 x 37.5 cm (1.5m air hose included)  
 23/22 kgs 20': 576 40'hq: 1320

**MODEL:  
OFT-9B**



### Technical Parameter

Air pressure: 0.1-0.2 Bar  
 Max fluid delivery: 330-380 ml/min  
 Cup capacity: 700 ml  
 Nozzle size: Ø1.8 mm  
 Color box: 4 Sets 65x 41 x 73.5 cm (1.5m air hose included)  
 17/15 kgs 20':576 40'hq:1320

**MODEL:  
OFT-10/10B**



### SPECIFICATIONS

| MODEL   | INPUT VOLT (V) | POWER (W) | LOAD SPEED (R.P.M) | LOAD CURRENT (A) |
|---------|----------------|-----------|--------------------|------------------|
| OFT-9B  | 120            | 800       | 29000              | 6.5              |
|         | 230            | 800       | 29000              | 3.3              |
| OFT-10  | 120            | 500       | 28500              | 4.1              |
|         | 230            | 500       | 28500              | 2.1              |
| OFT-10B | 120            | 800       | 29000              | 6.5              |
|         | 230            | 800       | 29000              | 3.3              |

## MODEL: OFT-18

### Technical Parameter

Air pressure: 0.1-0.2 Bar  
 Max fluid delivery: 230-270 ml/min  
 Cup capacity: 500 ml  
 Nozzle size:  $\varnothing$  0.5 /  $\varnothing$  0.8 /  $\varnothing$  1.0 / 1.8 mm  
 Package: Color box



**RELIABLE & DURABLE**



**HIGH PRESSURE**

### 1. GENERAL CHARACTERISTICS

This gun can be mainly used for spray-painting car, furniture, instrument, equipment and for decoration of hotel, house etc.

### 2. OPERATION METHODS

1. Connect the air hose with gun and motor before use.
2. Connect the motor with power supply, turn on the power and the indicator light on. The motor starts working. The air current is blown down from the vent. Turn off the power and the indicator light off. The motor stops working and no air current output.



8 Set/Ctn  
 Carton Size: 57 x 62 x 51 Cm  
 G.N/W: 23/21 Kgs  
 20':1264 Sets 40'HQ:2864 Sets

### SPECIFICATIONS

| INPUT VOLT (V) | POWER (W) | LOAD SPEED (R.P.M) | LOAD CURRENT (A) |
|----------------|-----------|--------------------|------------------|
| 120/230        | 600/600   | 30000/30000        | 5/2.6            |



**STRONG POWER**



## MODEL: OFT-12

### Technical Parameter

Air pressure: 0.1-0.2 Bar  
 Max fluid delivery: 230-270 ml/min  
 Cup capacity: 500 ml  
 Nozzle size:  $\varnothing$  0.5 /  $\varnothing$  0.8 /  $\varnothing$  1.0 / 1.8 mm  
 Package: Color box

**EASY TO CARRY**



4 Pcs/Ctn  
 Carton Size :43 x 37 x 49 Cm  
 G.N/W: 11/9 Kgs  
 20':1440 Sets 40'HQ:3280 Sets

### SPECIFICATIONS

| INPUT VOLT (V) | POWER (W) | LOAD SPEED (R.P.M) | LOAD CURRENT (A) |
|----------------|-----------|--------------------|------------------|
| 120/230        | 400/400   | 26000/26000        | 3.3/1.7          |

## MODEL: OFT-200

### Application

OFT-200 airless paint sprayer machine is widely used in various small spraying constructions. This model has a compact design, easy to carry, and has many advantages such as high quality, stable operation, strong reliability and long service life.

### It is suitable for professional use, such as:

Residential Building Interior/Exterior Walls painting  
 Small Commercial Buildings painting Repair/Repaint  
 Projects Property Maintenance.

### Applicable paint:

Latex paints, topcoats, stains, enamels, varnishes, primers and acrylic.

### Machine:

Ceramic pump body, long working life, more than 120 hours, IKO bearing from Japan, DC motor, long working life, more than 300 hours, Precision pressure sensor.

### Accessories included:

Flexible suction tube, return pipe, 50FT (15M) 1/4" high pressure hose, airless spray gun, 517 reversing airless paint spray tip, maintenance oil, wrench, Relaceable spray gun filter.



### Quick easy setup

1. Assemble hose, spray gun and tip to unit.
2. Place suction tube in water or solvent.
3. Turn prime-spray knob to prime.
4. Turn up pressure control knob to prime-spray.
5. Turn unit on to prime.

## SPECIFICATIONS

### MODEL OFT-120C/C1

|                    |                        |                |               |
|--------------------|------------------------|----------------|---------------|
| Motor power rating | : 1000W                | Nozzle type    | : 515/517/519 |
| Voltage            | : 230V/50HZ, 120V/60HZ | Spray distance | : 30 cm       |
| Capacity           | : 2.2L/min             | Fog amplitude  | : 30-40 cm    |
| Max. Pressure      | : 3000 PSI             |                |               |



# AIRLESS PAINT SPRAYER

**RIFETT**

## MODEL: OFT-200

**3000PSI/1 HP PUMP**

Delivers high pressure to atomize thick paints

**OIL PUMP DAILY**

**EASY TO REPLACE PUMP**

**EASY TO USE WITH NO**  
requirement to thin paint

**ANTI-SLIP FEET**  
for stability



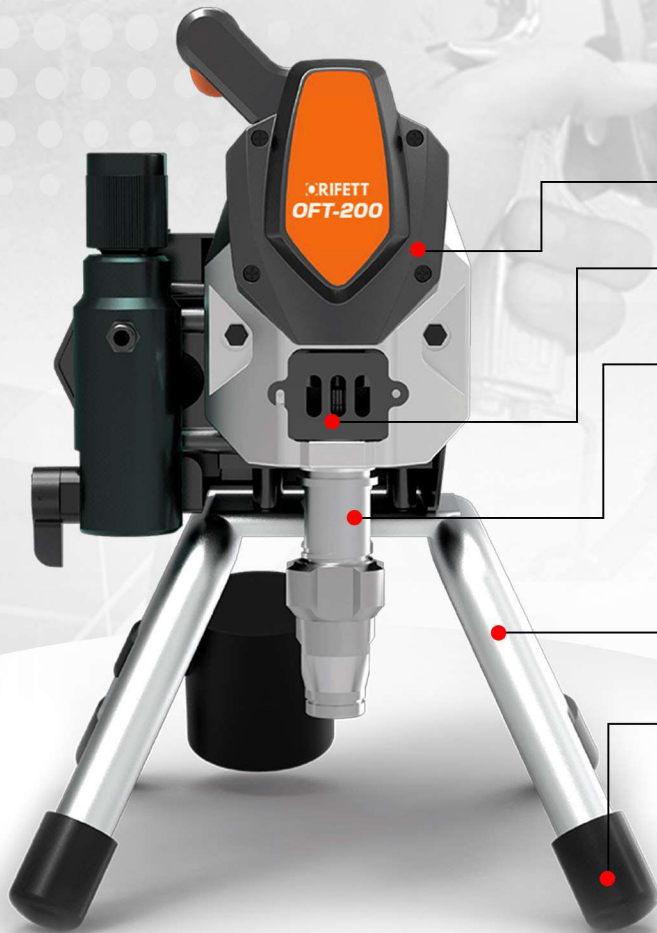
**EASY TO CARRY**



**HIGH PRESSURE**



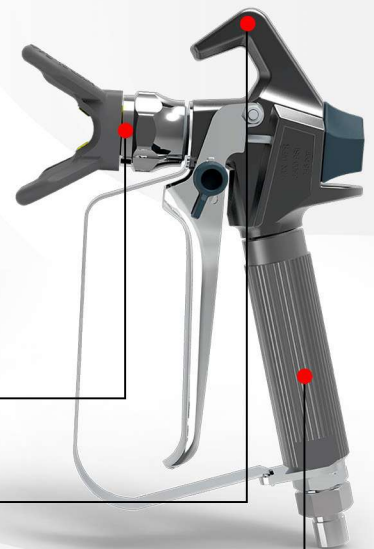
**STRONG POWER**



**12"-15" SPRAY PATTERN** COVERS LARGE AREAS FAST

**SUPPORT UP TO 200FT.** OF PAINT HOSE

**REPLACEABLE SPRAY GUN FILTERS**



### Advantage of the machine:

1. Pump: ceramic pump body, long working life, more than 120 hours
2. Motor: DC motor, long working life, more than 300 hours
3. Main Bearings: IKO bearing from Japan
4. Precision pressure sensor
5. Small pressure fluctuation, starting pressure more than 2200PSI, good atomization effect
6. Easy to clean: the suction joint is twisted by hand, no tools are required to disassemble, and it is easy to clean
7. The painting efficiency is high. Single-person spraying can reach 300-1000 square meters/hour, which is 10-15 times of manual brushing. Up to 1500gal per year use.
8. Ergonomic 4-finger spray gun
9. More efficient & Portable, covers large areas fast

# INDOTARA®

## PT. INDOTARA PERSADA

### Our Marketing Office and After Sales Service Center

#### Head Office

50/F, Menara BCA Grand Indonesia  
Jl. M.H. Thamrin No.1  
Jakarta Pusat 10310  
021 - 5011 2228  
dgm@indotara.id



#### Semarang Office

Wisma HSBC Lt. 6 Suite 609  
Jl. Gajah Mada No.135  
Semarang, Jawa Tengah 50134  
024 - 40 300 893  
smg.dgm@indotara.id



#### Marketing Office

APL Tower 6th Floor No. 6 Central Park,  
Jl. Letjen S. Parman Kav 28,  
Jakarta Barat - 11440  
021 - 5011 2228  
dgm@indotara.id



#### Medan Office

Sutomo Tower Lantai 5H  
Jl. Sutomo Ujung No.28,  
Kota Medan, Sumatera Utara 20235  
061 - 50 300 595  
mdn.dgm@indotara.id



#### Graha Indotara

Millenium Industrial Estate  
Jl. Millenium 22 Blok R3 No. 1  
Cikupa, Tangerang - Banten 15720  
021 - 5011 2228  
dgm@indotara.id



#### Makassar Office

Fajar Graha Pena Lt. 5  
Jl. Urip Sumoharjo No. 20,  
Makassar - South Sulawesi 90234  
021 - 5011 2228  
mks.dgm@indotara.id



#### Bandung Office

Wisma HSBC Lt. 6 Suite B  
Jl. Asia Afrika No. 116  
Bandung, Jawa Barat 40112  
021 - 5011 2228  
bdg.dgm@indotara.id



#### Balikpapan Office

Panin Tower Lt. 8 - Grand Sudirman  
Jl. Jendral Sudirman No.7 Klandasan Ilir,  
Balikpapan Kota, Kalimantan Timur 76114  
021 - 5011 2228  
bpp.dgm@indotara.id



#### Surabaya Office

Japfa Indoland Center, Tower I Lt. 10/1008  
Jl. Jendral Basuki Rahmat 129-137  
Surabaya 60271  
031 - 3360 1491  
sby.dgm@indotara.id



#### Bali Office

Benoa Square Lt. 2  
Jl. Bypass Ngurah Rai No. 21 A Kedonganan,  
Kuta Badung - Bali Indonesia 80361  
021 - 5011 2228  
bali.dgm@indotara.id



#### Yogyakarta Office

Hartono Mall Yogyakarta Lt. 3  
Kaliwaru, Condongcatur,  
Sleman, Yogyakarta 55281  
021 - 5011 2228  
yog.dgm@indotara.id



#### Singapore Office

Marina Bay Financial Centre Tower 3  
17F, 12 Marina Boulevard  
Singapore - 018982  
021 - 5011 2228  
sing.dgm@indotara.id

